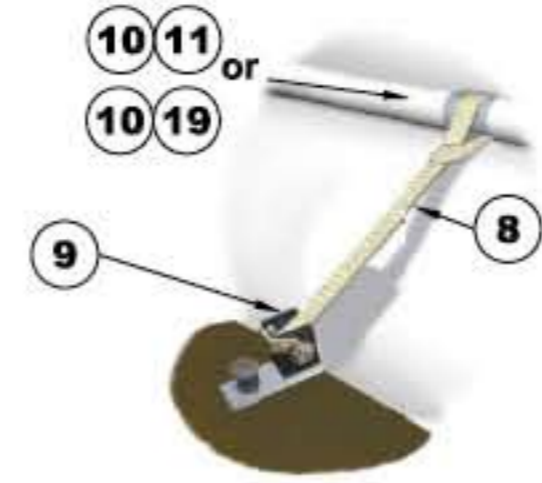
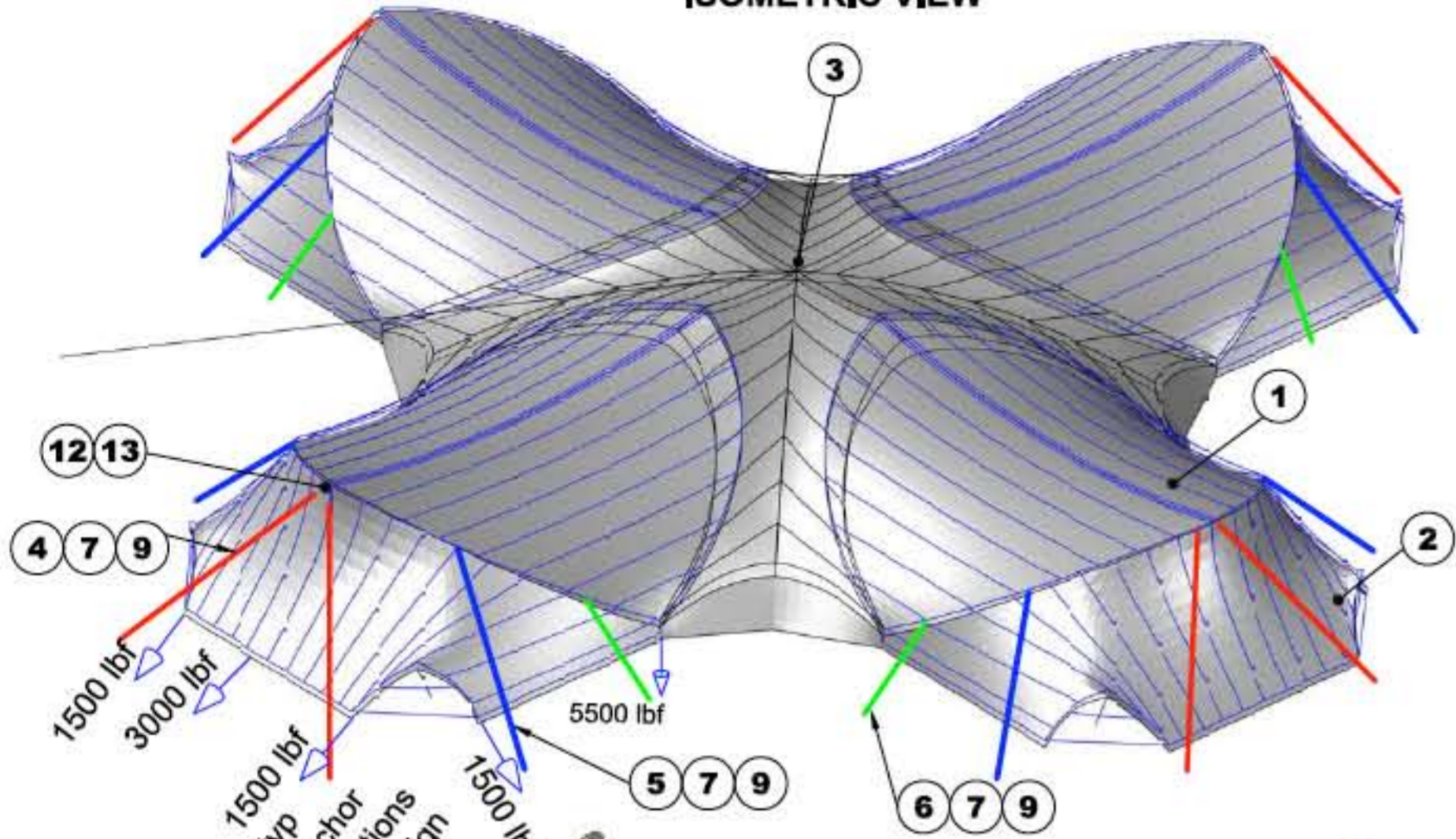
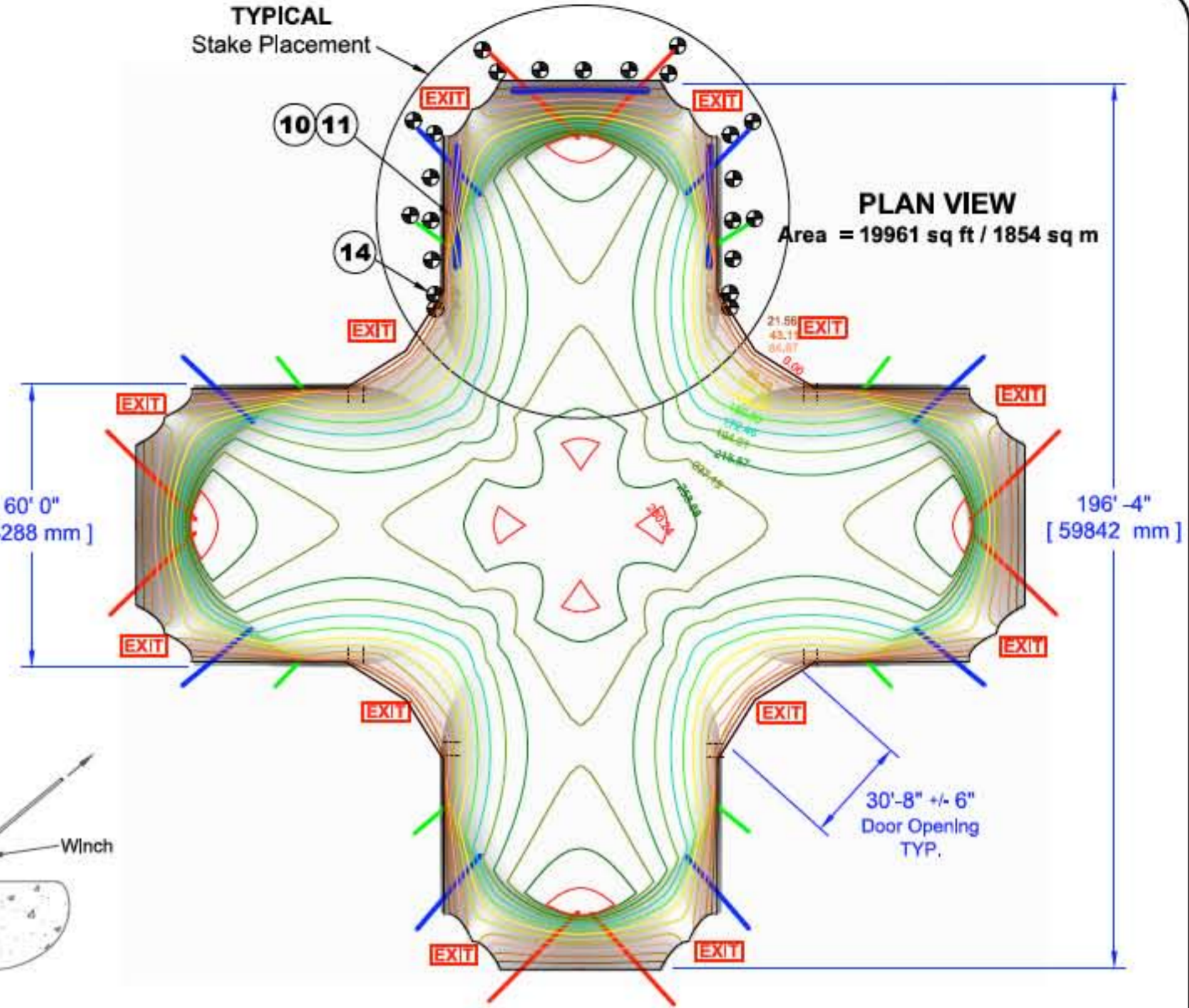


ISOMETRIC VIEW

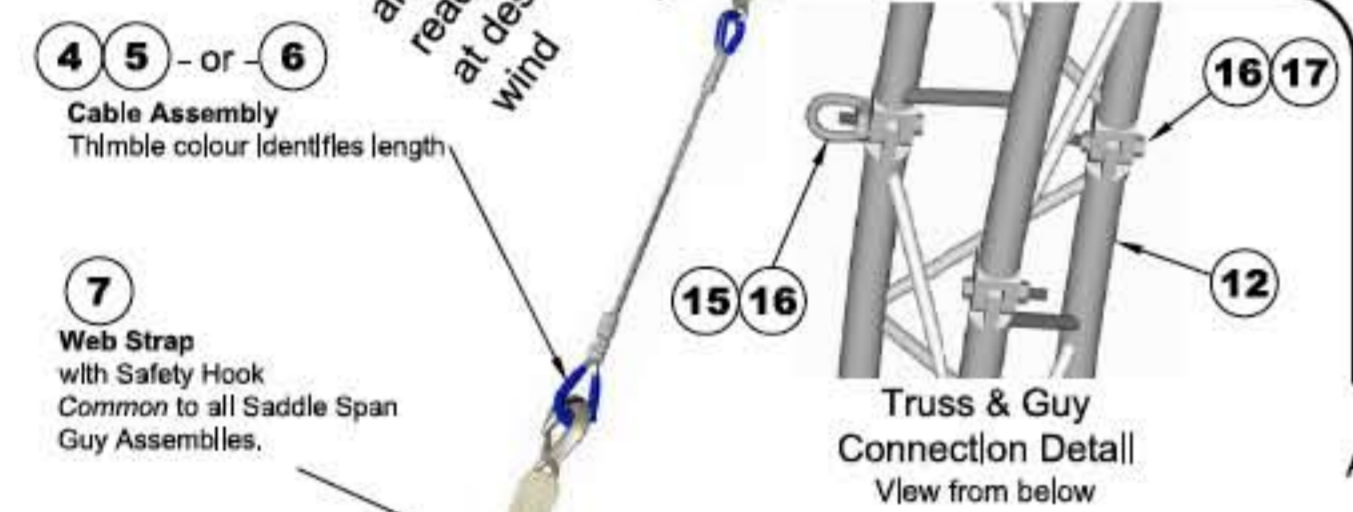


TYPICAL (interior view)
End Wall Tubing to
Anchor Winch Connection

TYPICAL Stake Placement



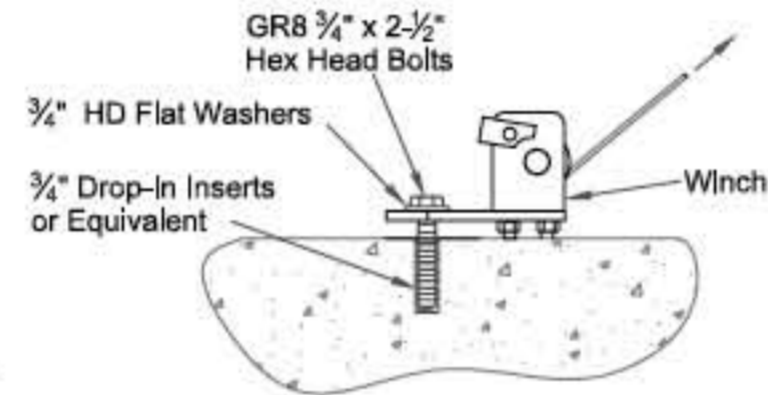
PLAN VIEW
Area = 19961 sq ft / 1854 sq m



Truss & Guy Connection Detail
View from below

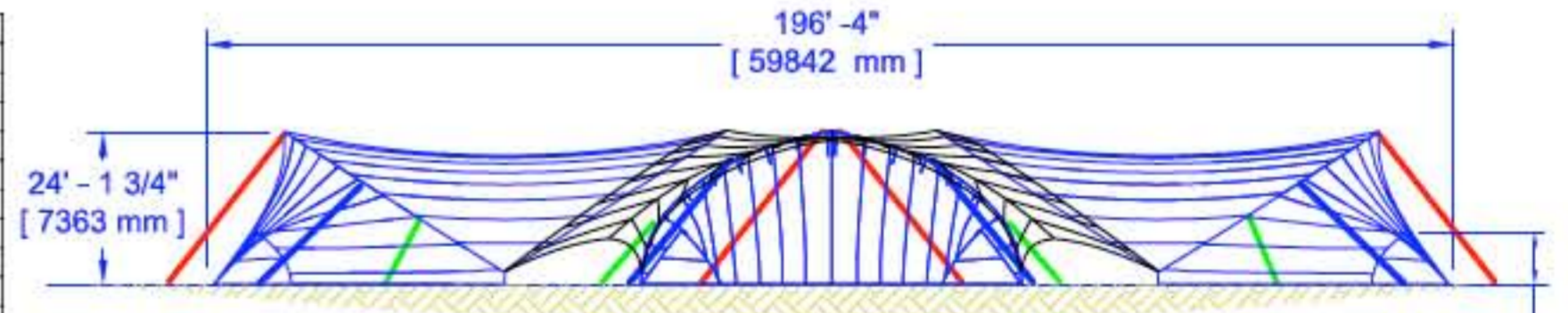


Typical Anchor bar used on
Blue & Red Guys.
Also Green Guy when less than optimum
soil conditions



9 Winch Assembly
Required for all Earth & Concrete surface installations.
NOT required for Ballast Anchor applications

ITEM#	PART #	QTY	DESCRIPTION	WEIGHT
1	40.32.004	4	S5000 TOP	2,593.5
2	40.32.003	4	S5000 END	1,683.4
3	40.32.007	1	S5000 JOINER QUADRASpan	913.2
4	30.16.100	8	GUY CABLE ASSY SADDLESPAN-RED	66.6
5	30.16.101	8	GUY CABLE ASSY SADDLESPAN-BLUE	42.0
6	30.16.102	8	GUY CABLE ASSY SADDLESPAN-GREEN	20.2
7	30.16.210	24	STRAP 2 IN X 168 IN WITH SAFETY HOOK	70.9
8	40.45.507	52	WEB STRAP 2 IN X 60 IN WITH LOOP	28.6
9	30.73.020	92	ANCHOR WINCH COMPLETE	559.0
10	30.45.026	24	SLEEVE STANDARD COMPLETE MQ	53.0
11	30.30.008	36	TUBE ALUM 9.25 FT MQ (2.5 IN X 0.100)	287.7
12	30.60.106	48	TRUSS S5000 ALUMINIUM	4,837.2
13	30.60.105	8	APEX S5000 GALV	321.8
14	30.60.100	8	BASE ASSY S5000 C/W HINGES & AXLE GALV	1,347.0
15	20.23.035	48	NUT EYE 0.625 CROSBY G500 # 5 - 3/4 THREAD	48.0
16	20.22.005	192	BOLT HEX HD 0.75 X 4.5 NC PL GR8	115.2
17	20.23.006	144	NUT HEX 0.75 GR2 NC PL	15.2
18	30.25.201	8	DOOR POLE - ADJUSTER ASSY S5000	120.2
19	30.30.007	16	TUBE ALUM 8 FT MQ (2.5 IN X 0.100)	110.6
Not Shown	70.63.014	1	MANUAL SS INSTALLATION & VIDEO	2.0
Total lbs	50.32.006		QUADRA SPAN SYSTEM S5000 COMPLETE	13,235



ELEVATION

LIGHTING:
Allowable live load due to equipment such as lighting
~250 lbs ea x 4 locations symmetrical about CL & axels.
Attachment shall be by web belt or clamps to pipe
Inserted into truss between pickets.
Do not clamp to truss.

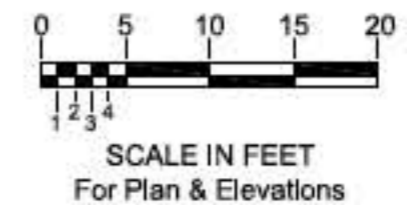
Rev #	Date	By	Description
1	11 Jan 08	RB	Add Reaction Forces

WARNING:
Possible underground hazards.

This parts list DOES NOT include anchor hardware. A number of anchorage kits are available to suit various site conditions and surfaces. Consult your SaddleSpan installation manual and Load list for anchorage hardware lists.

Designed to meet or exceed the following requirements: Design Wind 80 MPH (Basic Wind Speed, 3 second gust), exposure B per 2003 IBC when installed with one end closed. Exit & egress comply. Fabric exceeds the minimum requirements of ULC S-109, CA Fire Marshall, & European M1.
User Note: Tent integrity is a direct function of installation quality. Follow installation instructions adding ballast as conditions require. Do not exceed design parameters or local ordinances for public assembly. Reaction forces shown are for test-bed conditions only. Hills or other land forms, windward obstructions & other local conditions will alter actual forces considerably. Anchorage & guying indicated on this drawing may or may not be appropriate for soil & site conditions. When in doubt, consult local engineer. Minimum clearance height required for installation = 13,270 mm = 43ft 7 in". Maintain minimum 12" clearance from fabric to interior objects. Tentology reserves right to change specifications without notice.

CLIMBING ON TENT CAN RESULT IN INJURY OR DEATH.



SADDLESPAN SYSTEM S5000 QUADRA SPAN COMPLETE
General Arrangement

Project: SaddleSpan S5000	Scale: NTS	Sheet No.: 1 of 1
Dwg By: KM	Date:	File:
Ck'd By: ALI	App'd: <i>GN</i>	50.32.006